

SG24-M



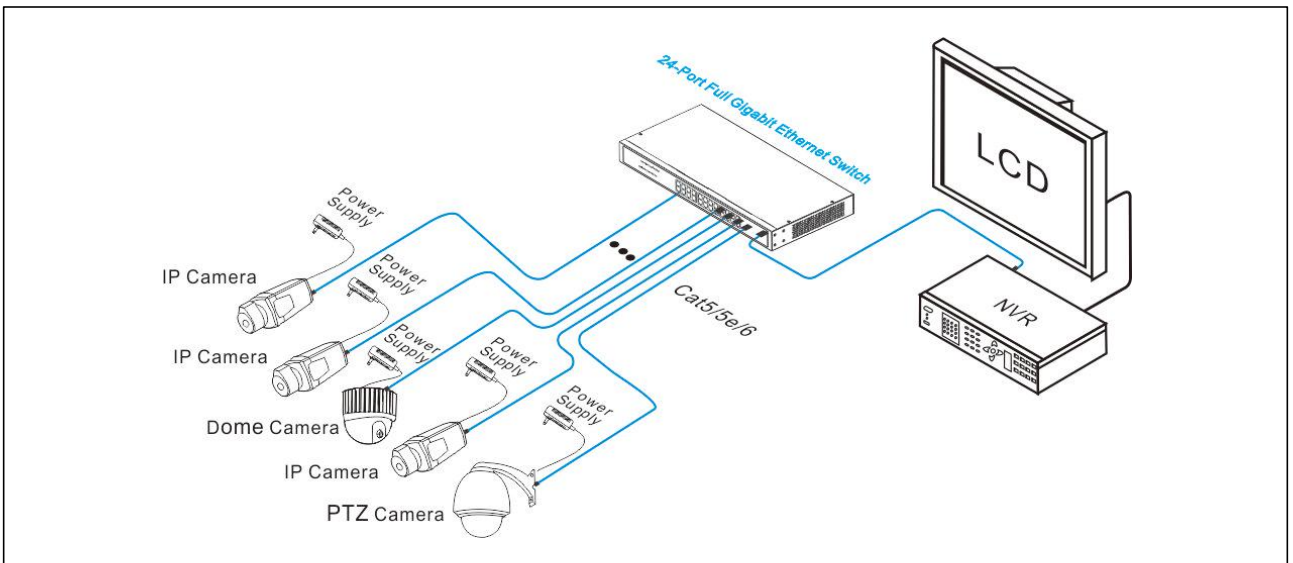
- 24*10/100/1000Base-T RJ45 ports
- 6KV surge immunity, surge protection on power port
- Switching fabric is 48G, support 9K jumbo frame
- Support full duplex
- Support auto MDI/MDIX on all port
- Plug and play, 13" housing, desktop, rack installation



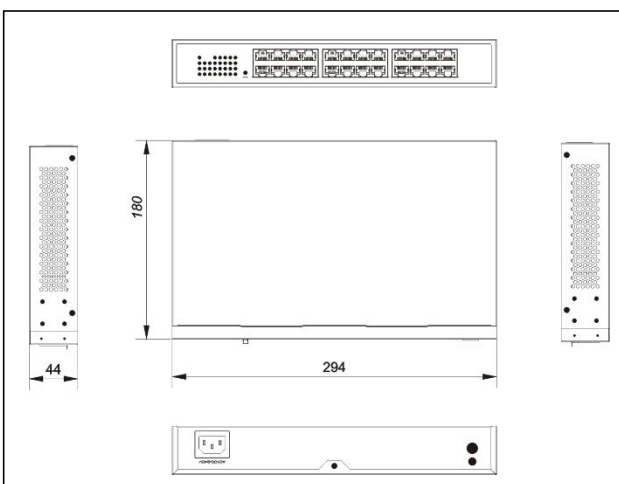
Overview

SG24-M, 24 ports full gigabit unmanaged mental Ethernet switch, is specially designed for security industry. It provides 24*10/100/1000Base-T RJ45 ports, which is equipped with 6KV surge immunity. The switch supports 8KV ESD protection, which can protect the device from the damage by direct lightning and keep the stable transmission. The SG24-M is widely used in security video monitoring and network engineering etc.

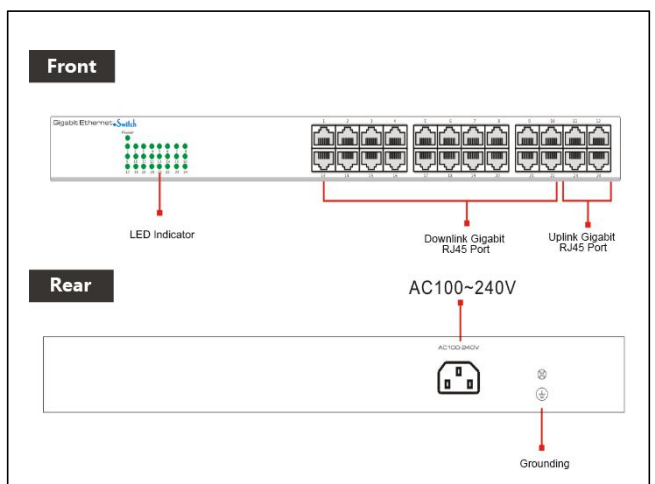
Application



Dimension



Board Diagram



Specification

Model	SG24-M
Interface	24*10/100/1000Base-T RJ45 ports
Network Standard	IEEE 802.3, IEEE 802.3 i, IEEE 802.3u, IEEE 802.3ab, IEEE 802.3x
Switch Fabric	48Gbps
Interface Buffer	2.5M
MAC Address	8K
Indicator	1-16: Link/Act , connecting (ON), transmitting (Blink), linkage fault (OFF) Power: normal (ON), fault (OFF)
Surge Immunity	6KV, IEC61000-4-5
ESD Immunity	Contact discharge 6KV, air discharge 8KV. IEC61000-4-2
Input Power	100-240V ~ 50/60Hz
Operating Temperature	-10°C~50°C
Storage Temperature	-40°C~85°C
Operating Humidity	5%-95% (Non-condensing)
Dimension (L*W*H)	274*180*44mm (L*W*H)
Certification	CE, FCC, RoHS

Packing List

ITEM	QTY
Ethernet Switch	1 pc
Power Adaptor	1 pc
User Manual	1 pc

Related Product

NAME	MODEL
8 Ports Full Gigabit Unmanaged Mental Ethernet Switch	SG8-M
16 Ports Full Gigabit Unmanaged Mental Ethernet Switch	SG16-M